

# SW 750

Model:  
SW 750



Part List US-English

27-04-2012

# Table of Contents

SW 750

<b>General view</b>	<b>3</b>
<b>Chassis system</b>	<b>5</b>
<b>Side broom assembly</b>	<b>7</b>
<b>Hopper system</b>	<b>9</b>
<b>Transmission system</b>	<b>11</b>
<b>Left and right hatch assembly</b>	<b>13</b>
<b>Belt tensioner assemblies</b>	<b>15</b>
<b>Dust control system</b>	<b>17</b>
<b>Vacuum system</b>	<b>19</b>
<b>Control panel assembly</b>	<b>21</b>
<b>Wiring diagram</b>	<b>23</b>
<b>Recommended spare parts</b>	<b>25</b>

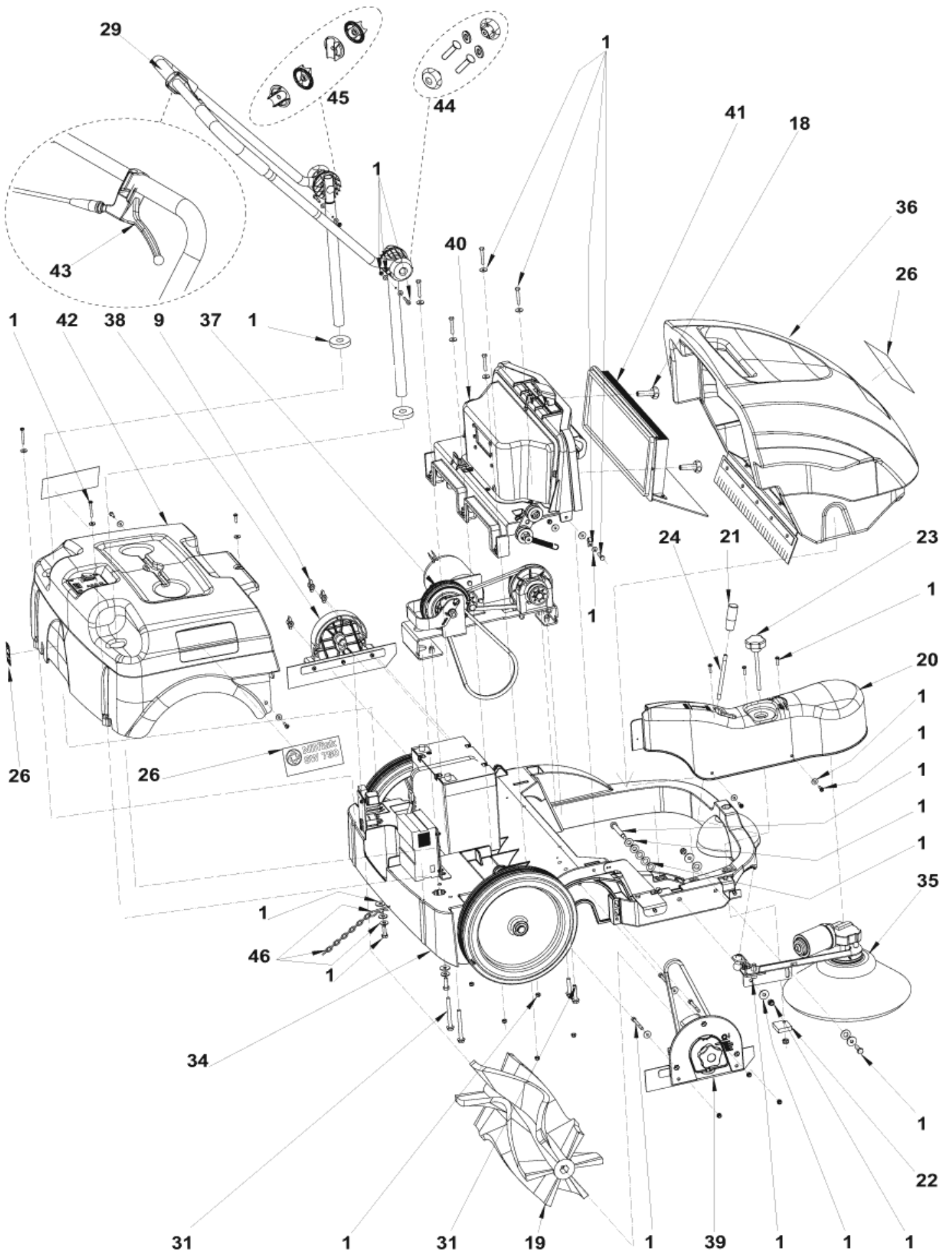
# General view

SW 750

27-04-2012

Part List ID  
F233103

3



# General view

SW 750

27-04-2012

Part List ID

FZ33103

4

Pos	Part no.	Qty	Description	
0	1463171000	1	CARPET KIT	ACCESSORY
0	1463885000	1	BOX 1060X900X690MM	
1	1463858000	1	GENERAL HARDWARE KIT	
9	145 0461 000	3	NUT WING M6	
18	146 2991 000	2	HANDWHEEL D.30 M6	
19	146 3016 000	1	BROOM MAIN 180X500 CARPET	
19	1463174000	1	BROOM MAIN 200X500 PPL0.7PPL	
20	146 3033 000	1	CRANKCASE SIDE BROOM	
21	146 3037 000	1	HANDLE LEVER	
22	146 3038 000	1	ADJUSTER BLOCK F. BROOM	
23	146 3039 000	1	KNOB M8X110	
24	146 3040 000	1	LEVER SIDE BROOM	
26	1463979000	1	DECALS KIT SW 750	
29	146 3066 000	1	HANDLE BAR	
31	1463868000	1	HARDWARE TRANSMISSION SYST KIT	
34		1	USE LINK	CHASSIS SYSTEM
35		1	USE LINK	SIDE BROOM ASSEMBLY
36		1	USE LINK	HOPPER SYSTEM
37		1	USE LINK	TRANSMISSION SYSTEM
38		1	USE LINK	LEFT HATCH ASSEMBLY
39		1	USE LINK	RIGHT HATCH ASSEMBLY
40		1	USE LINK	DUST CONTROL SYSTEM
41		1	USE LINK	FILTER ASSEMBLY
42		1	USE LINK	CONTROL PANEL ASSEMBLY
43	146 3068 000	1	LEVER WITH CABLE	
44	1463859000	1	HANDLE FIXING KIT	
45	909 5099 000	1	RATCHET HANDLE ADJUST.KIT	
46	1463260000	1	CHAIN KIT	



# Chassis system

SW 750

27-04-2012

Part List ID

FZ33107

6

Pos	Part no.	Qty	Description	
0	145 9788 000	1	FUSE 7.5A	
0	146 3052 000	1	HARNES MACHINE	
0	1463167000	1	SKIRTS NO MARKING KIT	ACCESSORY
0	1463201000	1	BATTERY CLAMPS POS.-NEG.KIT	ACCESSORY
0	909 5633 000	1	CABLE EXTENSION	
0	909 5676 000	1	CABLE EXTENSION UK PLUG	
0	9096914000	1	CABLE EXTENSION	
1	146 3124 000	1	PLATES SKIRTS FIXING KIT	
2	1463860000	2	WHEEL BLACK KIT	
3	145 8925 000	1	SPRING	
4	1463861000	1	HARDWARE CHASSIS SYSTEM KIT	
0A	1463255000	1	SKIRT NEOP.SIDE BROOM KIT	ACCESSORY FROM SERIAL NO.072014268
13	1463862000	1	WHEEL CASTOR KIT	
19	145 8415 000	4	BALL BEARING 6003 2RS	
26	1463863000	1	SHAFT WHEELS KIT	
30	146 2978 000	1	CHASSIS	
32	1463166000	1	SKIRTS KIT	
34	146 2983 000	1	BRACKET CARTER FIXING	
35	146 2984 000	1	BRACKET CARTER FIXING	
39	146 2998 000	1	PULLEY D.140	
41	1464483000	1	BATTERY 12V 49AH AGM MONOBLOC	ACCESSORY - TSB IT 2010-058
41	1464853000	1	BATTERY DISCOVER 12V 84Ah	ACCESSORY - TSB IT 2010-058
42	146 3050 000	1	BRACKET BAT.CHARGER FIX	
43	146 3051 000	1	CHARGER BATTERY 12V 6A	
44	146 3053 000	1	SUPPORT ELECTRONIC COMP.	
45	146 3054 000	1	BELT BATTERY FIXING	
46	146 3090 000	1	CIRCUIT BREAKER 5A	
47	146 3113 000	1	RELAIS 12V 70 A TYCO	
49	909 5706 000	1	BREAKER CIRCUIT 30A	
50	909 6341 000	1	HOLDER FUSE	

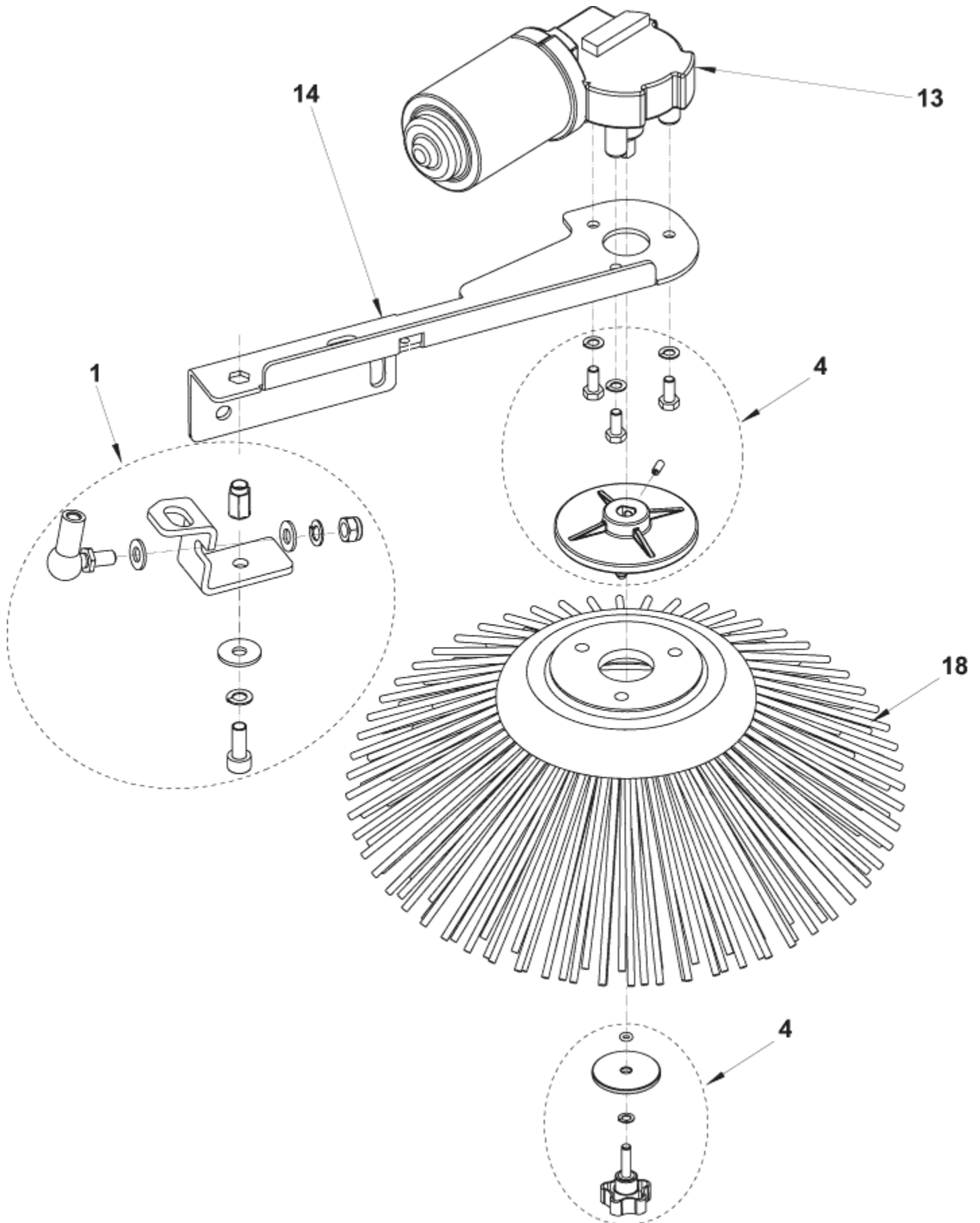
# Side broom assembly

SW 750

27-04-2012

Part List ID F233111

7



# Side broom assembly

SW 750

27-04-2012

Part List ID

FZ33111

8

Pos	Part no.	Qty	Description
1	1463864000	1	HARDWARE SIDE BROOM KIT
4	1463865000	1	HUB SIDE BROOM FIZING
13	146 3028 000	1	REDUCTION GEARMOTOR 40W 12V
14	146 3029 000	1	SUPPORT SIDE BROOM
18	146 3035 000	1	BROOM SIDE 109X315 PPL0.5
18	146 3036 000	1	BROOM SIDE 109X315 NYLON CARPE ACCESSORY

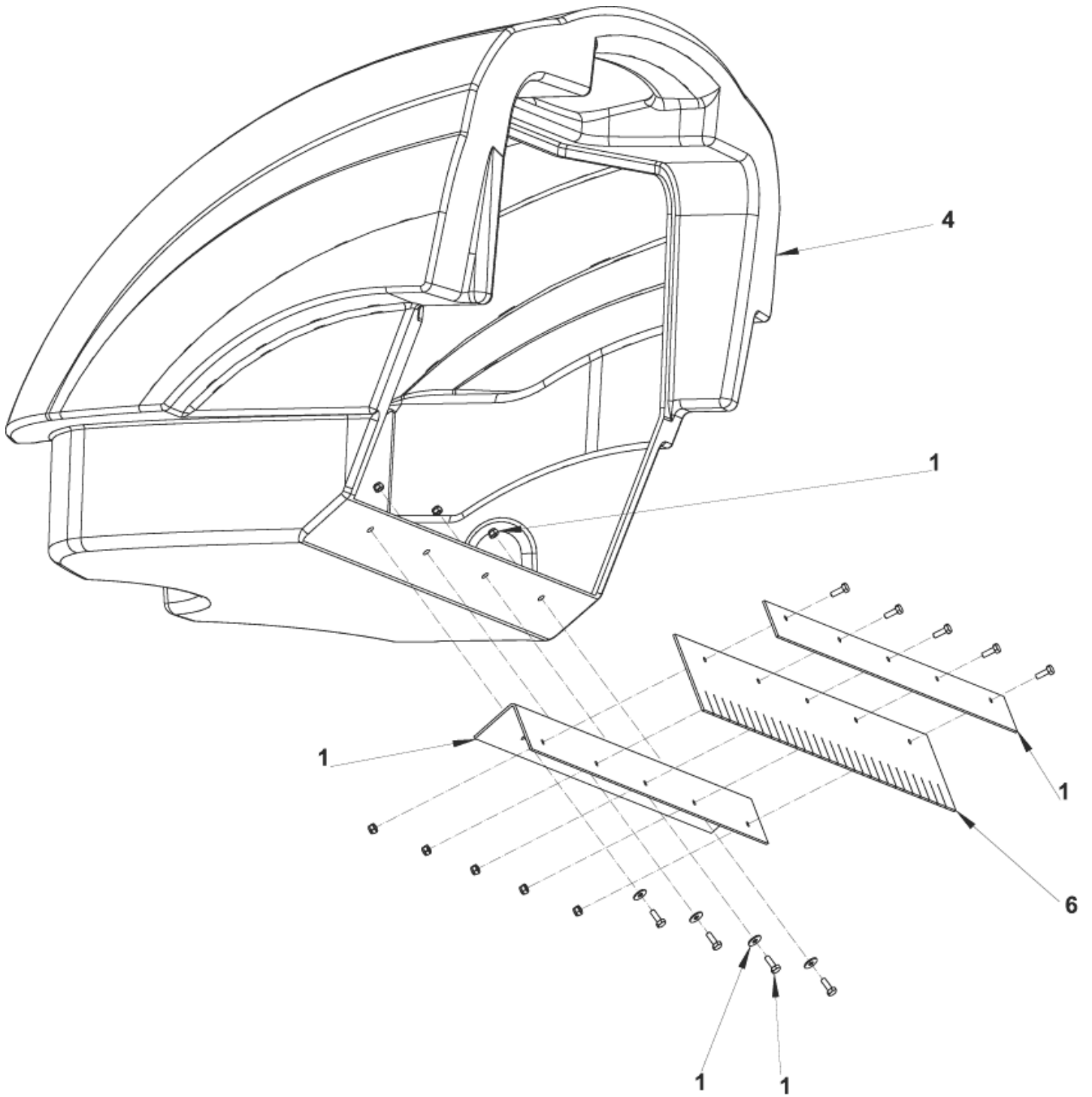
# Hopper system

SW 750

27-04-2012

Part List ID  
F233113

9



# Hopper system

SW 750

27-04-2012

Part List ID

FZ33113

10

Pos	Part no.	Qty	Description
1	146 3124 000	1	PLATES SKIRTS FIXING KIT
4	146 3042 000	1	CONTAINER DIRT ROTOMOLDED
6	1463166000	1	SKIRTS KIT

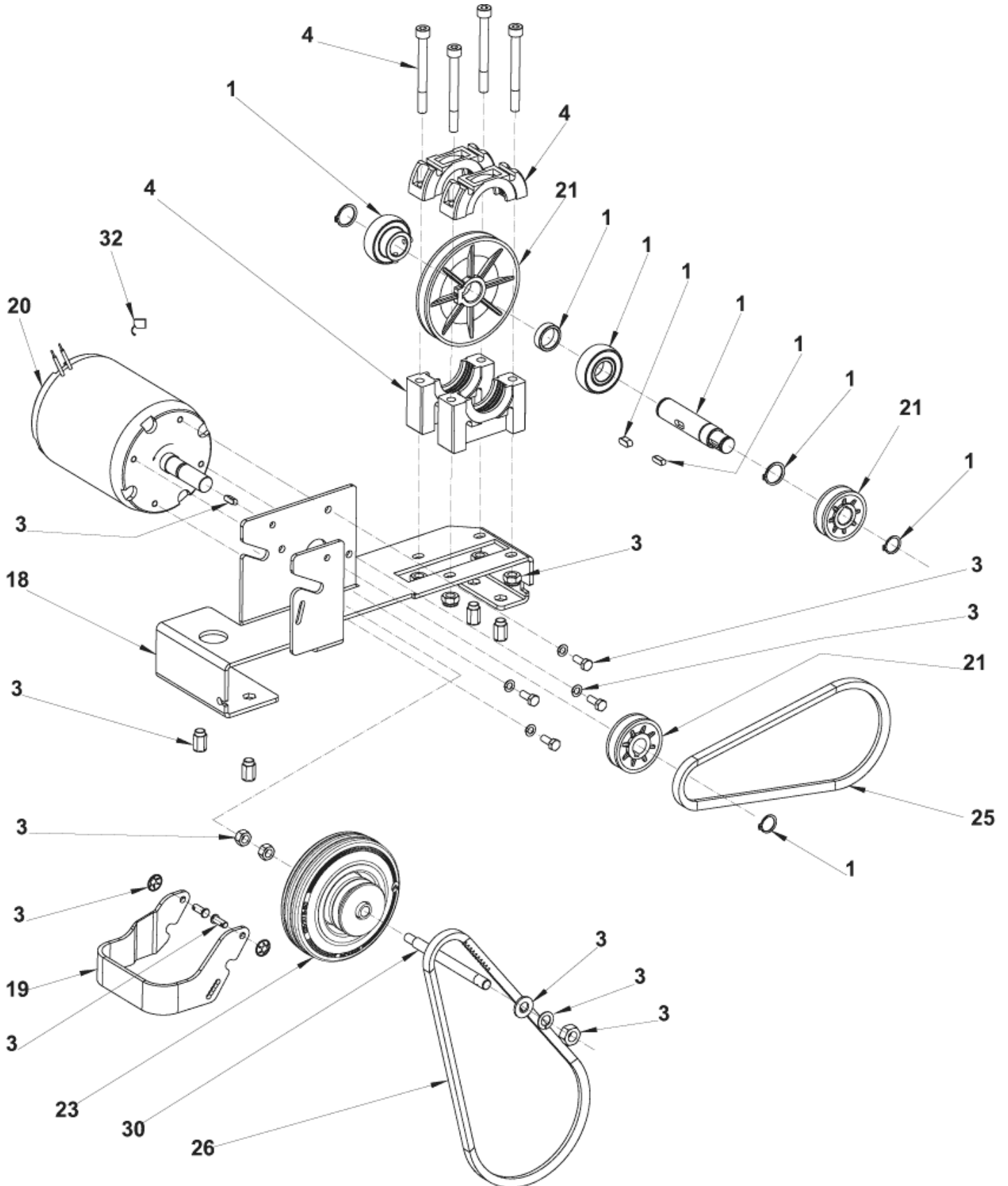
# Transmission system

SW 750

27-04-2012

Part List ID  
F233115

11



# Transmission system

SW 750

27-04-2012

Part List ID

FZ33115

12

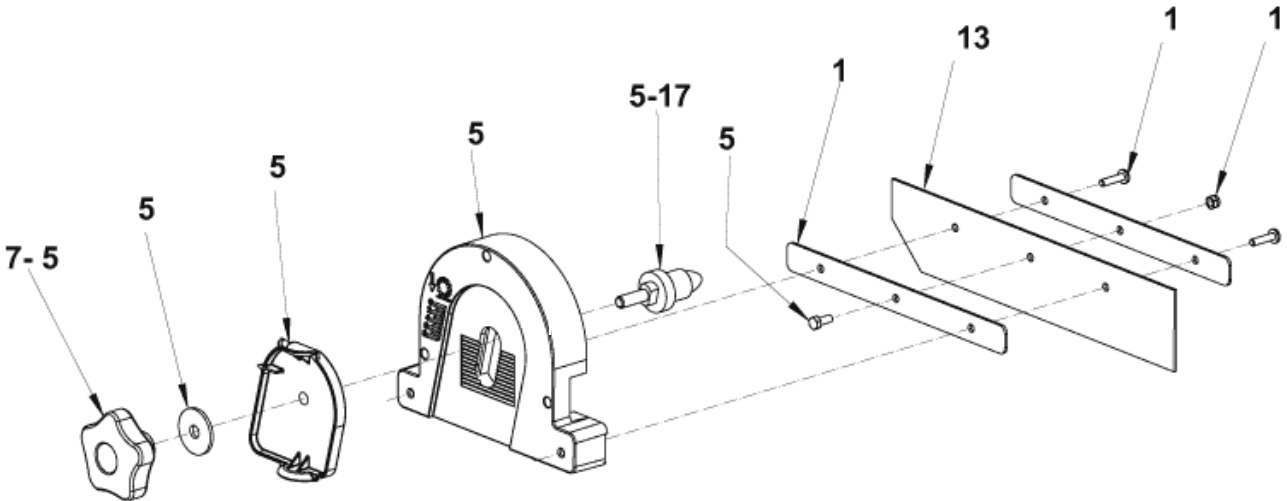
Pos	Part no.	Qty	Description
1	1463867000	1	SHAFT PULLEYS KIT
3	1463868000	1	HARDWARE TRANSMISSION SYST KIT
4	1463866000	1	BEARING SUPPORTS KIT
18	146 3000 000	1	PLATE MOTOR SUPPORT
19	146 3002 000	1	BRACKET CLUTCH WHEEL
20	146 3003 000	1	MOTOR ELECTRIC 200W 12V
21	1463869000	1	PULLEYS KIT
23	146 3006 000	1	WHEEL DRIVE CLUTCH
25	1463305000	1	BELT SPZX 587
26	1464045000	1	BELT KIT
30	146 3013 000	1	SHAFT DRIVE CLUTCH WHEEL
32	909 6893 000	1	BRUSH CARBON KIT 4PCS

# Left and right hatch assembly

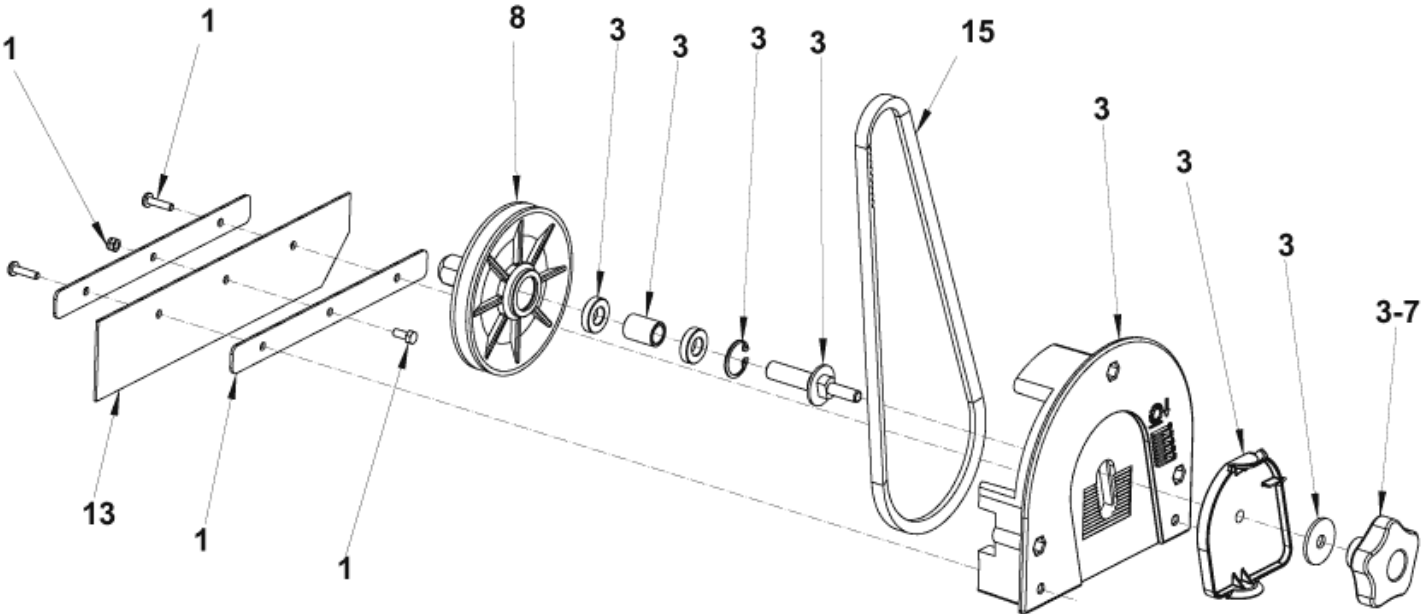
SW 750

27-04-2012
Part List ID
F233117
13

## ASSIEME PORTELLO SINISTRO - LEFT HATCH ASSEMBLY



## ASSIEME PORTELLO DESTRO - RIGHT HATCH ASSEMBLY



# Left and right hatch assembly

SW 750

27-04-2012

Part List ID

FZ33117

14

Pos	Part no.	Qty	Description
1	146 3124 000	1	PLATES SKIRTS FIXING KIT
3	1463870000	1	HATCH RIGHT FIXING KIT
5	1463871000	1	HATCH LEFT FIXING KIT
7	146 1852 000	2	KNOB M8
8	146 3014 000	1	PULLEY D. 112
13	1463166000	1	SKIRTS KIT
15	146 3027 000	1	BELT SPZX 787
17	146 3020 000	1	PIN MAIN BROOM

# Belt tensioner assemblies

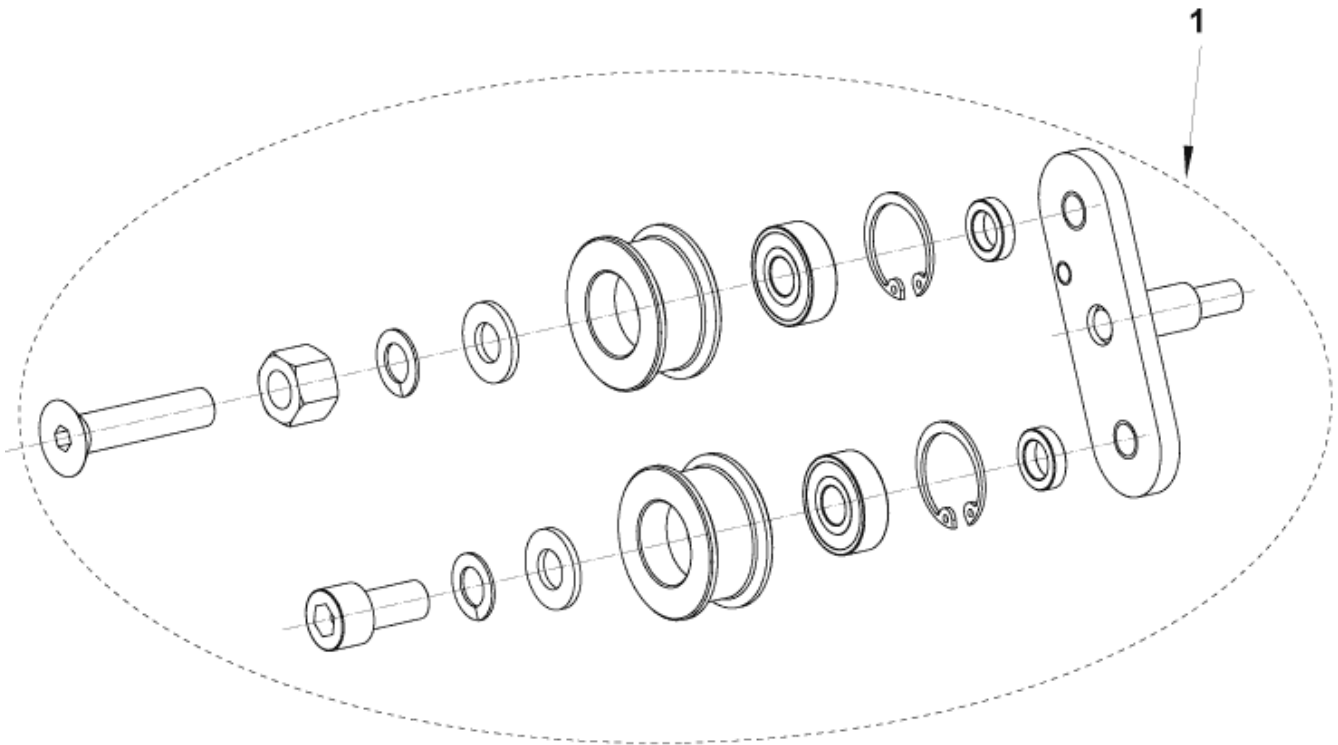
SW 750

27-04-2012

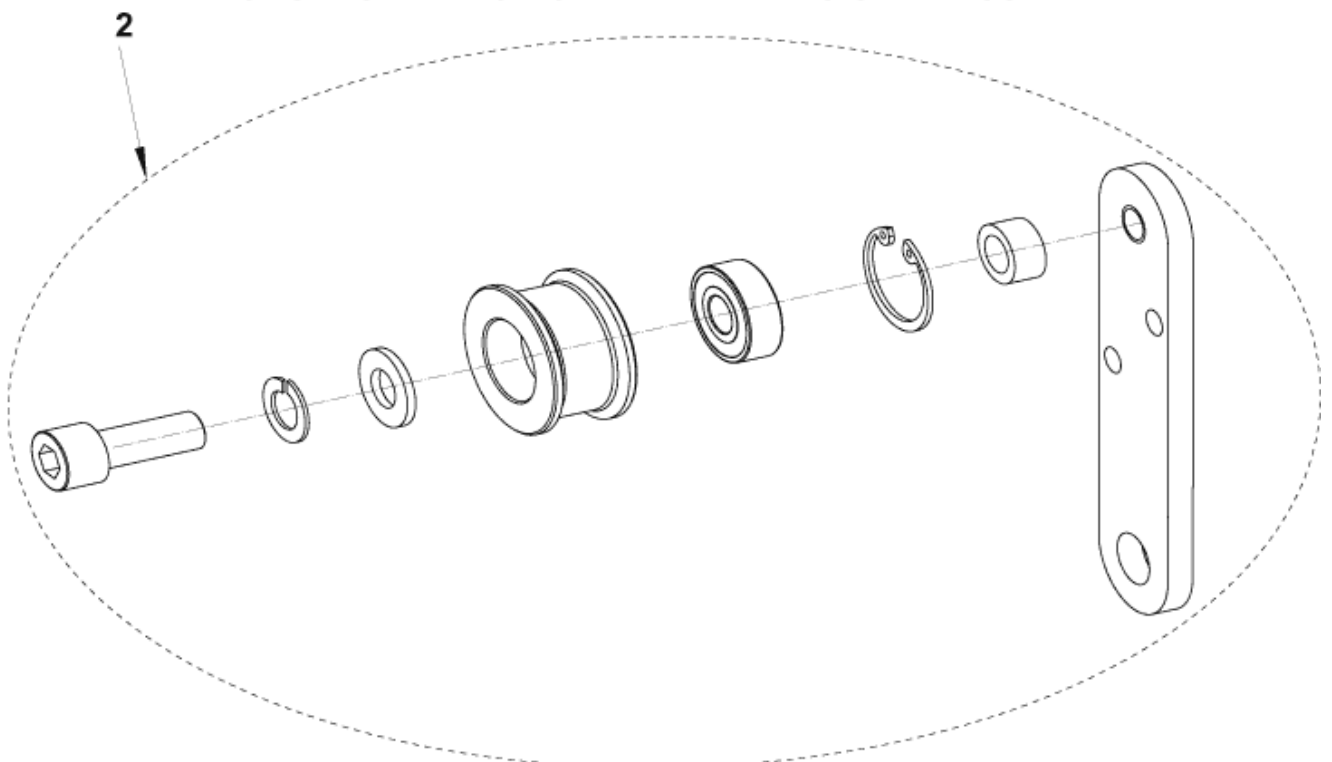
Part List ID  
F233119

15

## GRUPPO TENDICINGHIA DOPPIO - DOUBLE BELT TENSIONER ASSEMBLY



## GRUPPO TENDICINGHIA - BELT TENSIONER ASSEMBLY



# Belt tensioner assemblies

SW 750

27-04-2012

Part List ID

FZ33119

16

Pos	Part no.	Qty	Description
1	1463872000	1	BELT TENSIONER DOUBLE KIT
2	1463873000	1	BELT TENSIONER KIT

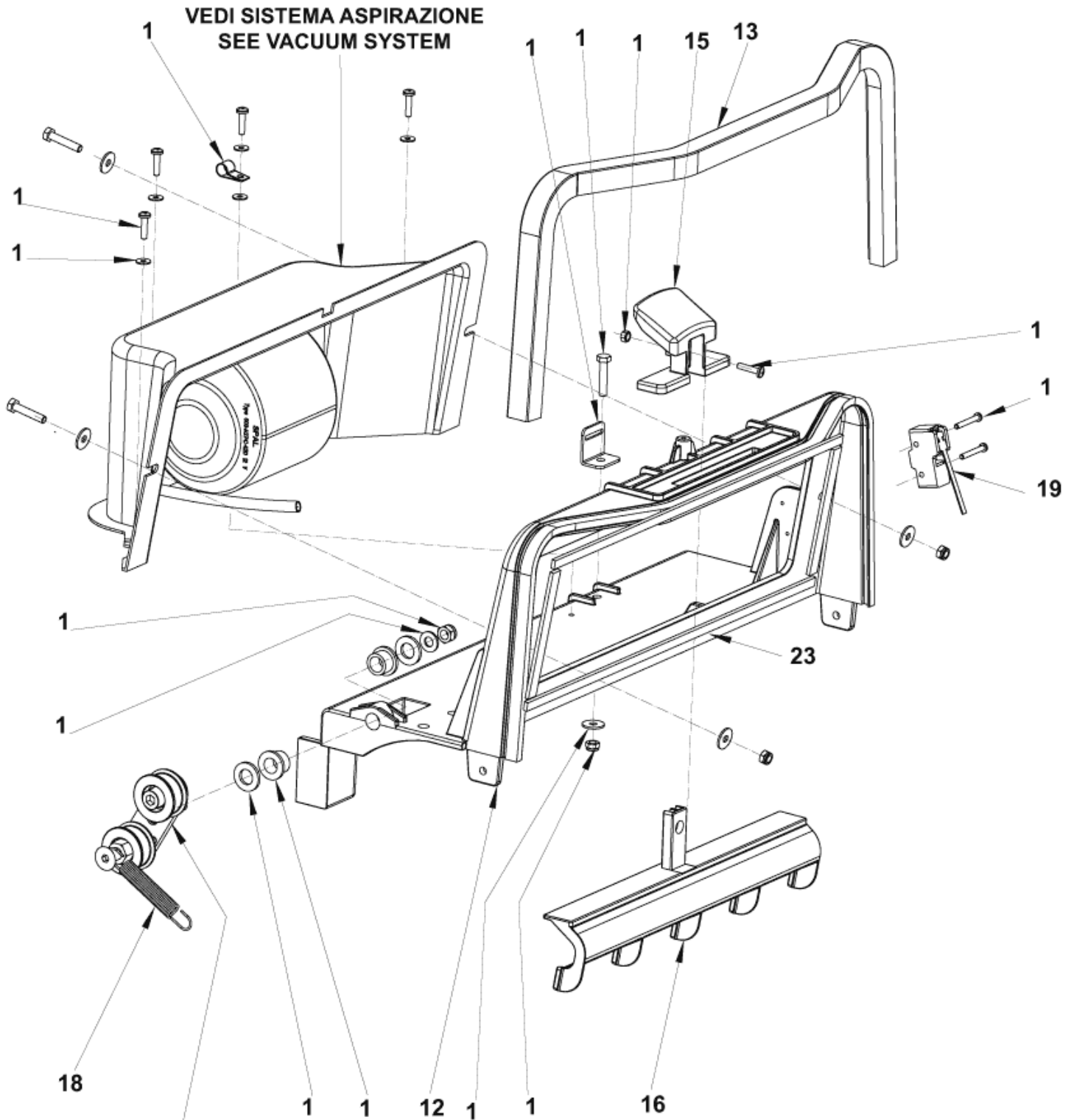
# Dust control system

SW 750

27-04-2012

Part List ID  
F233121

17



# Dust control system

SW 750

27-04-2012

Part List ID

FZ33121

18

Pos	Part no.	Qty	Description
1	1463874000	1	HARDWARE DUST CONTROL SYST.KIT
12	146 2988 000	1	SUPPORT FILTER
13	1463747000	1	GASKET EXTRUDED L 845MM
15	146 2992 000	1	HANDLE FILTER SHAKER
16	146 2993 000	1	FILTER SHAKER
18	145 0274 000	1	SPRING
19	145 9679 000	1	MICROSWITCH 10A 250V
23	1463176000	2	GASKETS FILTER KIT

# Vacuum system

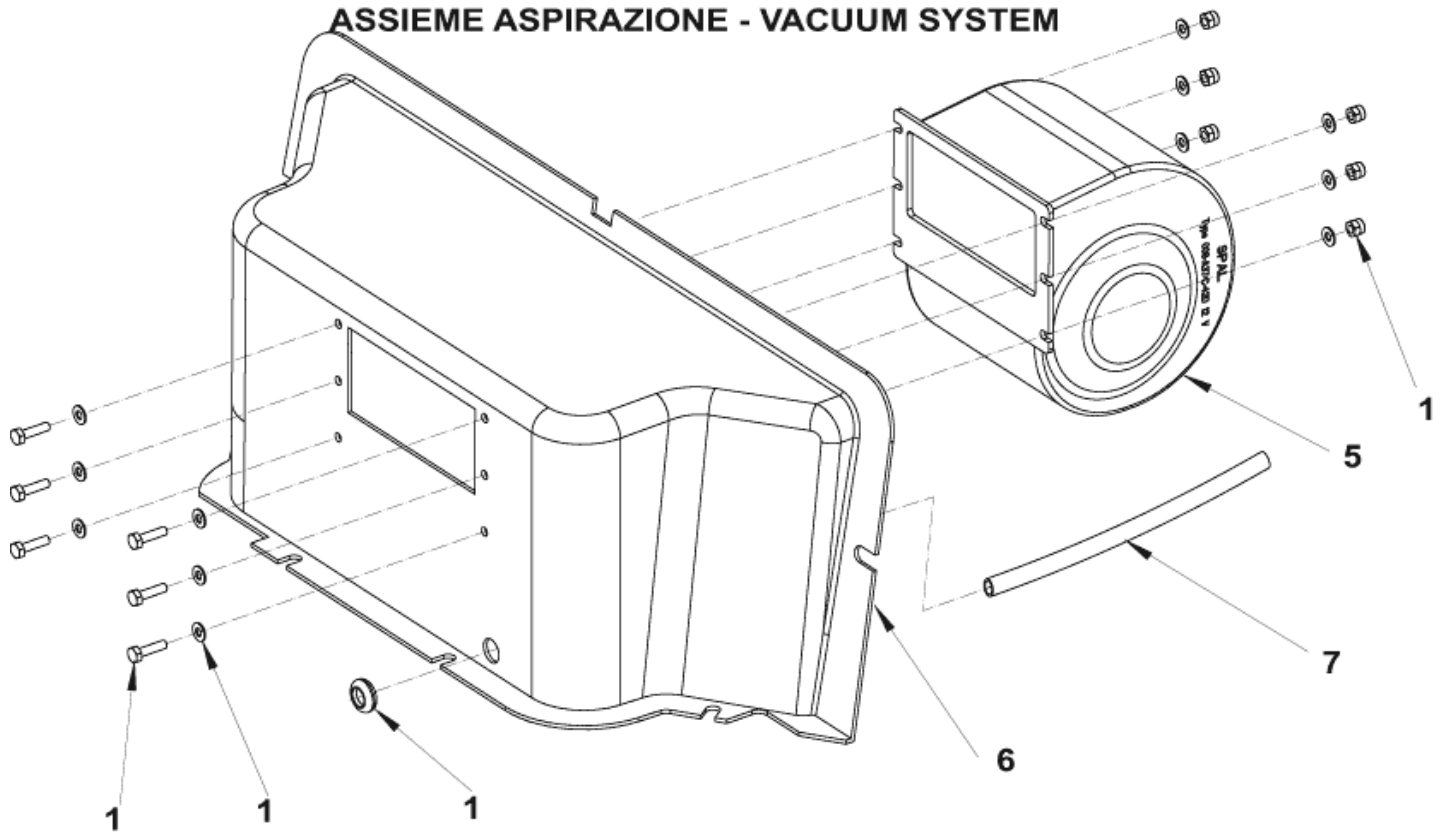
SW 750

27-04-2012

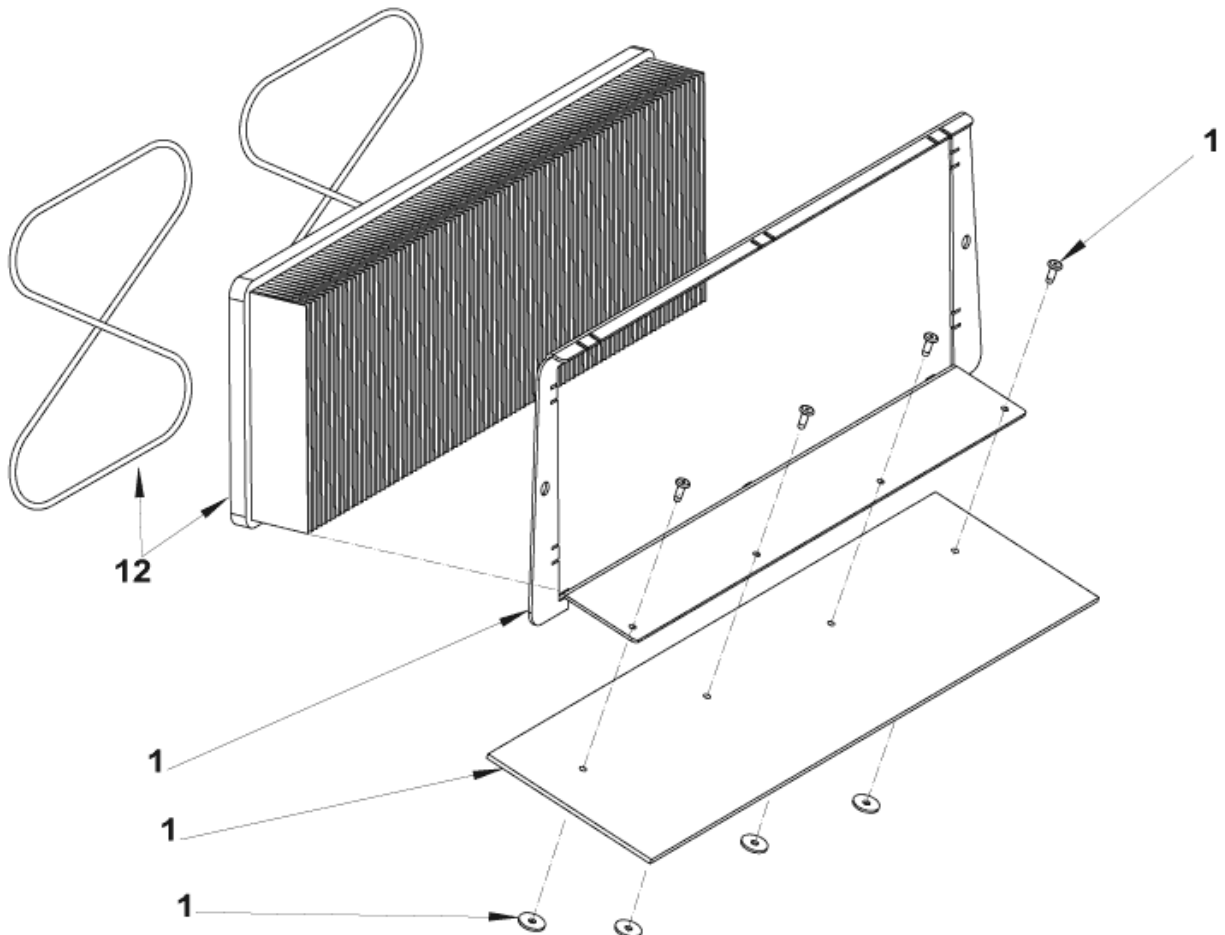
Part List ID  
F233123

19

## ASSIEME ASPIRAZIONE - VACUUM SYSTEM



## GRUPPO FILTRO - FILTER ASSEMBLY



# Vacuum system

SW 750

27-04-2012

Part List ID

FZ33123

20

Pos	Part no.	Qty	Description
1	1463875000	1	HARDWARE FILTER FIXING KIT
5	146 1804 000	1	FAN
6	146 3055 000	1	CONVEYOR
7	146 3125 000	1	SHEATH D.6XD.7 L 200
12	1463161000	1	FILTER POLYESTER KIT

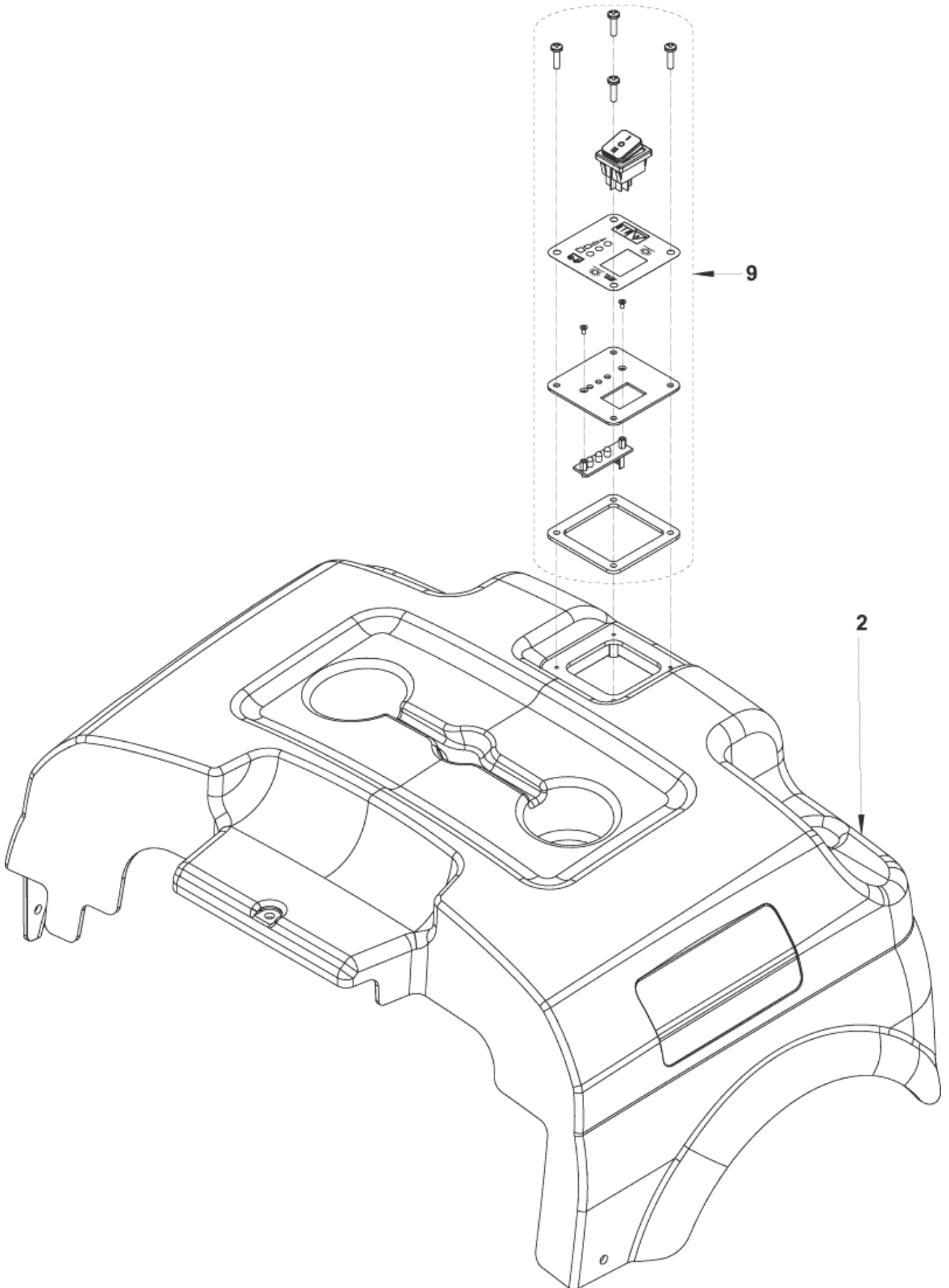
# Control panel assembly

SW 750

27-04-2012

Part List ID  
F233125

21



# Control panel assembly

SW 750

27-04-2012

Part List ID

FZ33125

22

Pos	Part no.	Qty	Description
2	146 3069 000	1	COVER REAR GREY
9	146 3123 000	1	PANEL CONTROL W/DECAL KIT

# Wiring diagram

SW 750

27-04-2012

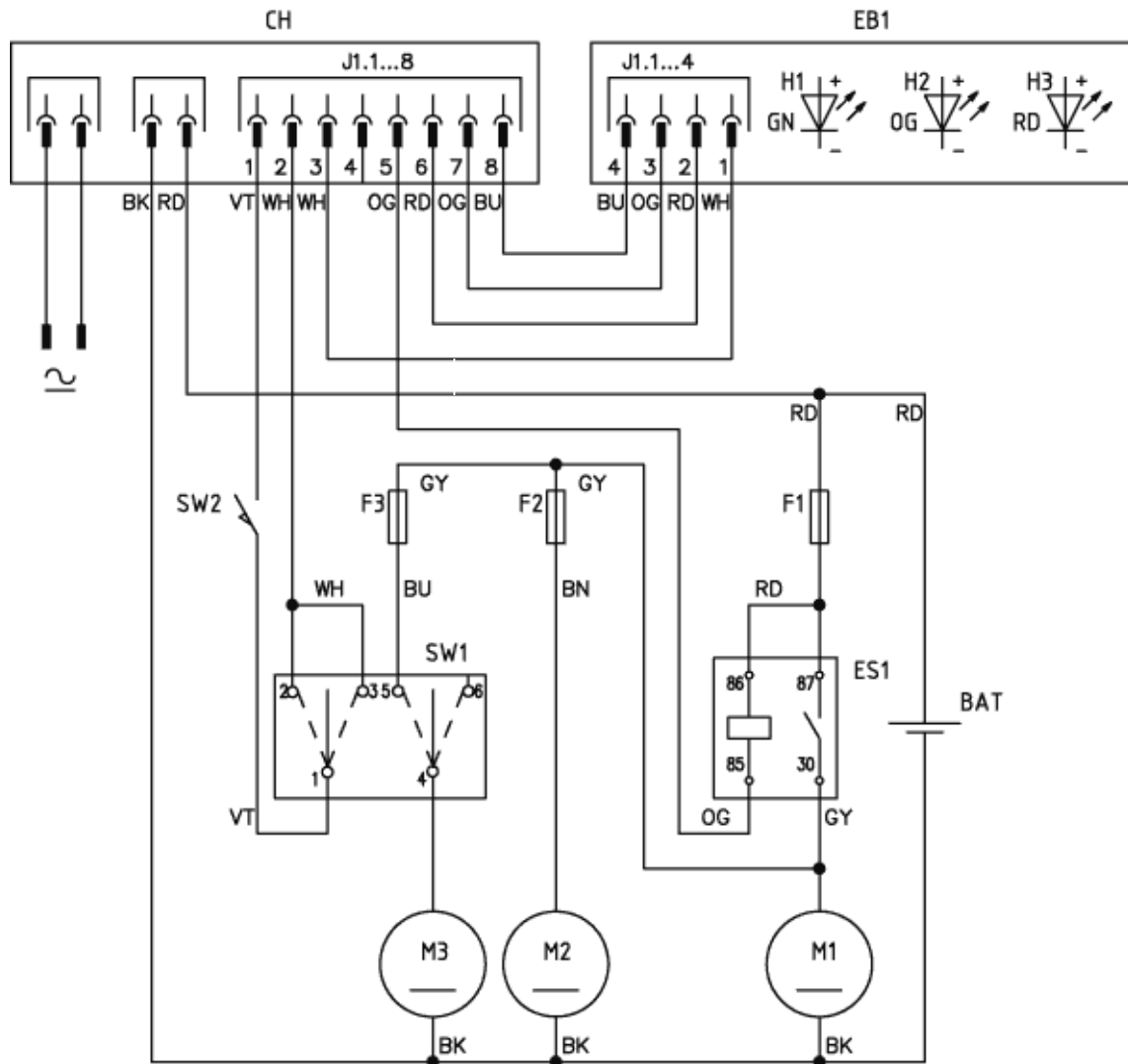
Part List ID  
F233126

23

## WIRING DIAGRAM

SW 750

146 3089 000 - Rev.B



COMPONENTI		COMPONENTS
BAT	Batteria 12V	12V Battery
CH1	Caricabatterie-controllo funzioni	Batt. charger / Function controller
EB1	Scheda LED	LED board
ES1	Relé	Relais
F1	Fusibile principale	Main circuit breaker
F2	Fusibile ventola	Fan fuse
F3	Fusibile spazzola laterale	Side brush circuit breaker
H1	Led batteria piena carica	Full charge led
H2	Led batteria mezza carica	Half charge led
H3	Led batteria scarica	Empty charge led
M1	Motore principale	Main motor
M2	Ventola aspirazione	Fan
M3	Motore spazzola laterale	Side brush motor
SW1	Interruttore	Switch
SW2	Microinterruttore cofano	Hopper microswitch

# Wiring diagram

SW 750

27-04-2012

Part List ID

FZ33126

24

# Recommended spare parts

SW 750

27-04-2012

Part List ID

F233127

25

No Drawing For Part List

# Recommended spare parts

SW 750

27-04-2012

Part List ID

FZ33127

26

Pos	Part no.	Qty	Description	
0	145 9679 000	1	MICROSWITCH 10A 250V	EXTRAORDINARY MAINTENANCE
0	146 1804 000	1	FAN	EXTRAORDINARY MAINTENANCE
0	146 3003 000	1	MOTOR ELECTRIC 200W 12V	EXTRAORDINARY MAINTENANCE
0	146 3016 000	1	BROOM MAIN 180X500 CARPET	ACCESSORY
0	146 3027 000	1	BELT SPZX 787	WEAR PARTS
0	146 3028 000	1	REDUCTION GEARMOTOR 40W 12V	EXTRAORDINARY MAINTENANCE
0	146 3035 000	1	BROOM SIDE 109X315 PPL0.5	WEAR PARTS
0	146 3036 000	1	BROOM SIDE 109X315 NYLON CARPE	ACCESSORY
0	146 3051 000	1	CHARGER BATTERY 12V 6A	EXTRAORDINARY MAINTENANCE
0	146 3090 000	1	CIRCUIT BREAKER 5A	EXTRAORDINARY MAINTENANCE
0	146 3113 000	1	RELAIS 12V 70 A TYCO	EXTRAORDINARY MAINTENANCE
0	146 3123 000	1	PANEL CONTROL W/DECAL KIT	EXTRAORDINARY MAINTENANCE
0	1463161000	1	FILTER POLYESTER KIT	ORDINARY MAINTENANCE
0	1463166000	1	SKIRTS KIT	WEAR PARTS
0	1463167000	1	SKIRTS NO MARKING KIT	ACCESSORY
0	1463171000	1	CARPET KIT	ACCESSORY
0	1463174000	1	BROOM MAIN 200X500 PPL0.7PPL	WEAR PARTS
0	1463201000	1	BATTERY CLAMPS POS.-NEG.KIT	ACCESSORY
0	1463255000	1	SKIRT NEOP.SIDE BROOM KIT	ACCESSORY
0	1463305000	1	BELT SPZX 587	ORDINARY MAINTENANCE
0	1463860000	1	WHEEL BLACK KIT	EXTRAORDINARY MAINTENANCE
0	1464045000	1	BELT KIT	ORDINARY MAINTENANCE
0	1464483000	1	BATTERY 12V 49AH AGM MONOBLOC	EXTRAORDINARY MAINTENANCE
0	1464853000	1	BATTERY DISCOVER 12V 84Ah	ACCESSORY
0	909 5706 000	1	BREAKER CIRCUIT 30A	EXTRAORDINARY MAINTENANCE